

series EPR

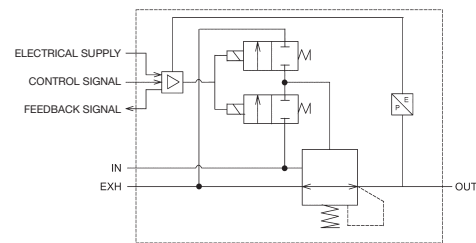
Pressure proportional valves

DESCRIPTION

Proportional valves allow to adjust the output pressure by means of an electric signal. Depending on the set pressure, there's an output electrical signal, called "feedback signal". These valves have a display that, besides indicating the regulated pressure, facilitates the configuration thanks to the user panel at the valveside. These valves are available in G1/8", G1/4" and G1/2" sizes.

TECHNICAL DATA

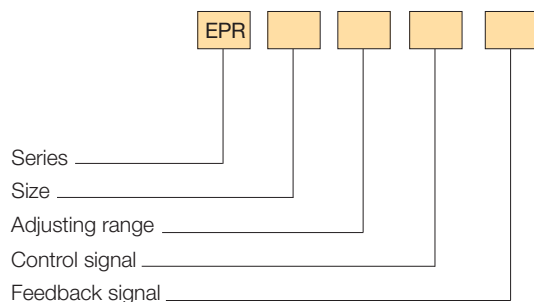
Operating pressure	Maximum regulating pressure + 1 bar	
Maximum pressure	10 bar for the models with adjusting range: 0 ÷ 5 and 0 ÷ 9 bar 2 bar for the models with adjusting range: 0 ÷ 1 bar	
Working temperature	0 ÷ 50 °C	
Fluid	Filtered, un lubricated or continuous lubricated compressed air	
Port size	G1/8 - G1/4 - G1/2	
Pressure gauge port size	G1/8	
Pressure with Pa=6 bar and Δp=1	G1/8: 290 NI/min	G1/4: 1440 NI/min
	G1/2: 4800 NI/min	
Supply voltage	24 VDC	
Apparent power	< 6W	
Voltage tolerance	± 10%	
Protection class	IP65	
Electric connector	M12A 4 PIN	
Sensitivity	≤ ± 0,5% F.S.	
Linearity	≤ ± 1,0% F.S.	
Ripeatability	≤ ± 0,5 F.S.	
Hysteresis	≤ 0,5% F.S.	



MATERIALS

End cap	Techno-polymer
Body	Alluminium
Spring	Stainless steel
Seals	NBR

ORDER KEY



ORDER EXAMPLES

Proportional valve size G1/2, adjusting range from 0 to 5 bar, control signal in voltage, feedback signal in voltage (from 1 to 5 VDC): **EPR2/5TF15**.

Proportional valve size G1/4, adjusting range from 0 to 1 bar, control signal in current, feedback signal (PNP24 VDC): **EPR4/1AFP**.

SIZE

8	G 1/8	4	G 1/4
2	G 1/2		

ADJUSTING RANGE

/1	0 ÷ 1 bar	/5	0 ÷ 5 bar
/9	0 ÷ 9 bar		

CONTROL SIGNAL

T	Voltage: 0 ÷ 5 VDC / 0 ÷ 10 VDC (can be set up by the user)		
A	Current: 0 ÷ 20 mA DC / 4 ÷ 20 mA DC (can be set up by the user)		
4S	Four control signals ON/OFF		

FEEDBACK SIGNAL

F15	1 ÷ 5 VDC	F420	4 ÷ 20 mA DC
FP	24VDC PNP	FN	24VDC NPN

CONNECTOR TO USER INTERFACE

CONNECTOR M12A 4 PIN

(SET) Enter / set up value

Scroll down / to decrease value ▼

Scroll up / to increase value ▲

LED status indicator

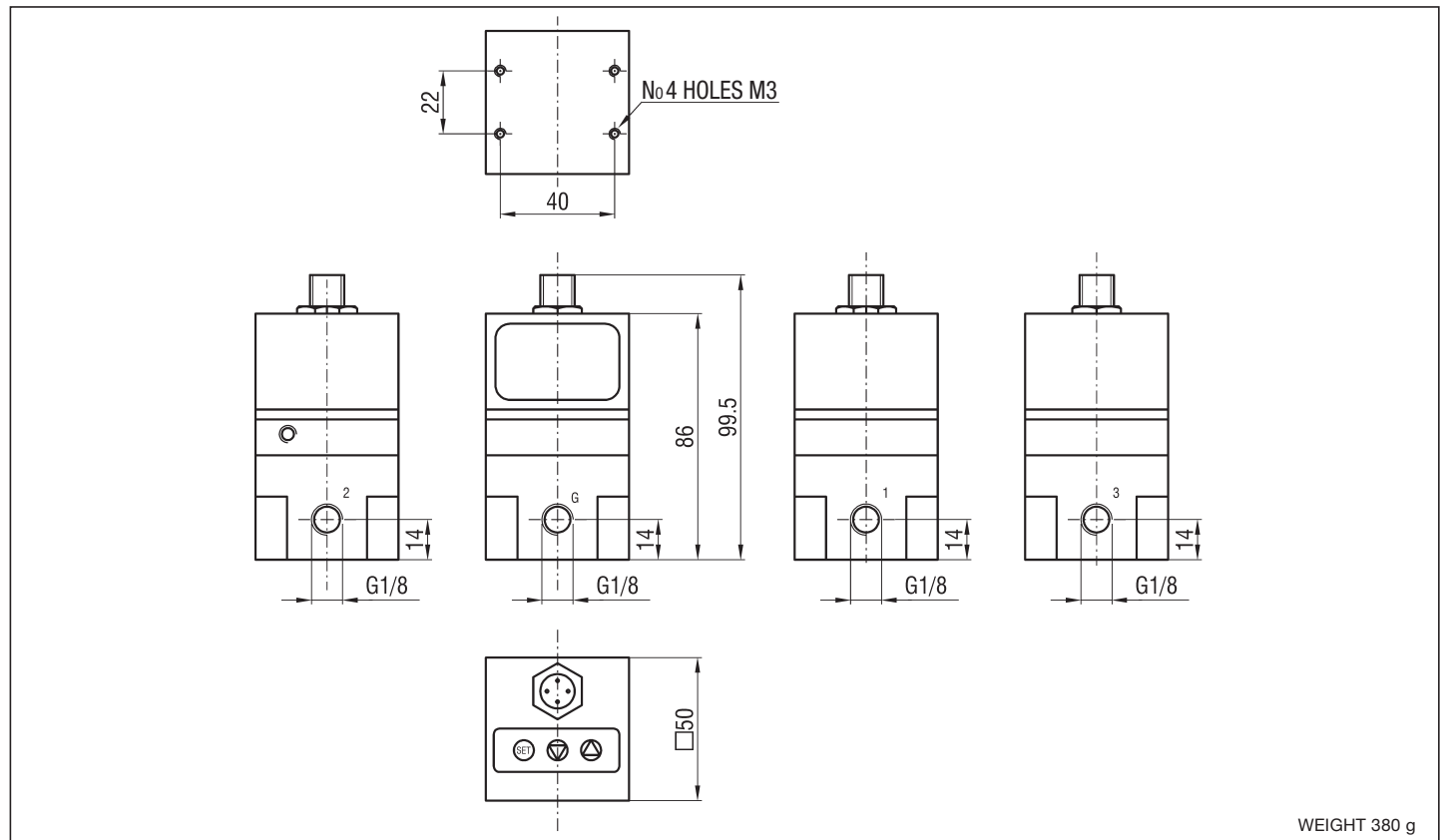
Display

N° PIN	Corresponding cable color	Disposition with control signal in VDC or mA	Disposition with four control signals
1	Red/Brown	+24 VDC	+24 VDC
2	White	Control signal	Switch 1
3	Blue	GND	GND
4	Black	Feedback signal	Switch 2

Pressure proportional valves

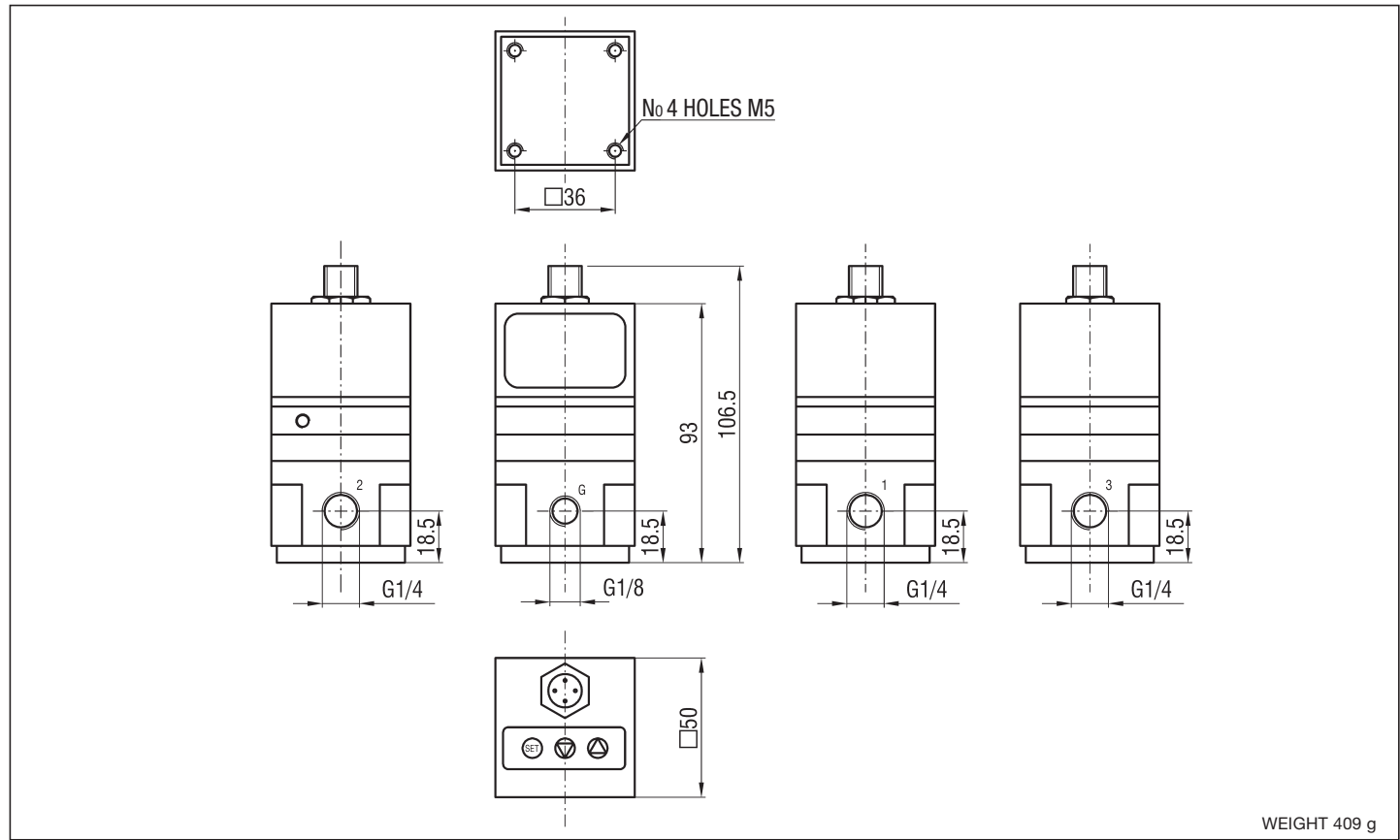
series **EPR**

DIMENSIONS AND WEIGHT SIZE G1/8



4

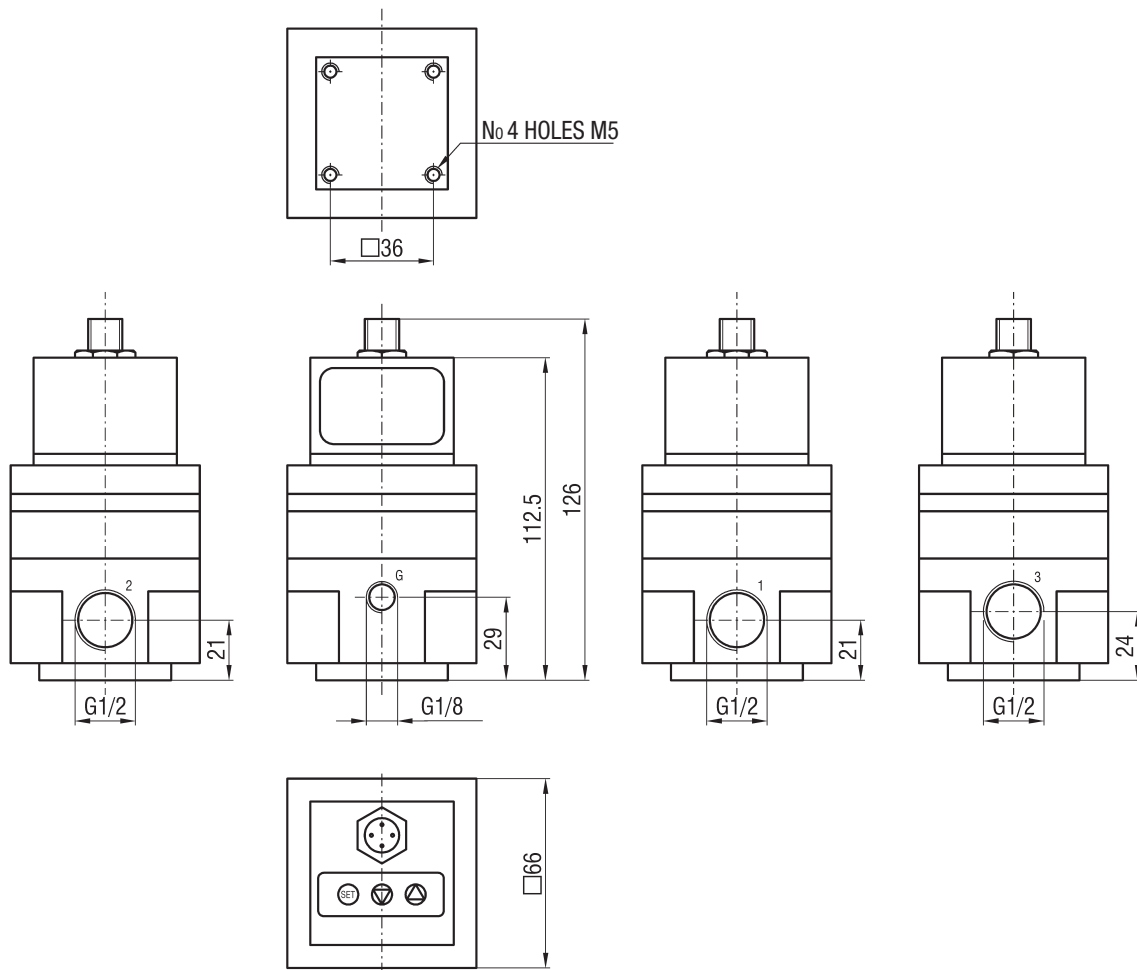
DIMENSIONS AND WEIGHT SIZE G1/4



series EPR

Pressure proportional valves

DIMENSIONS AND WEIGHT SIZE G1/2



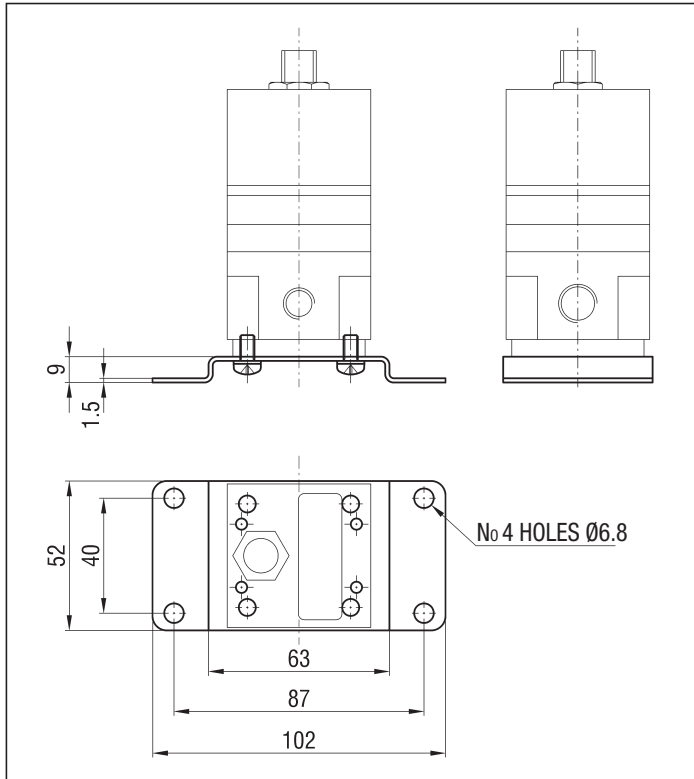
WEIGHT 753 g

4

Accessories

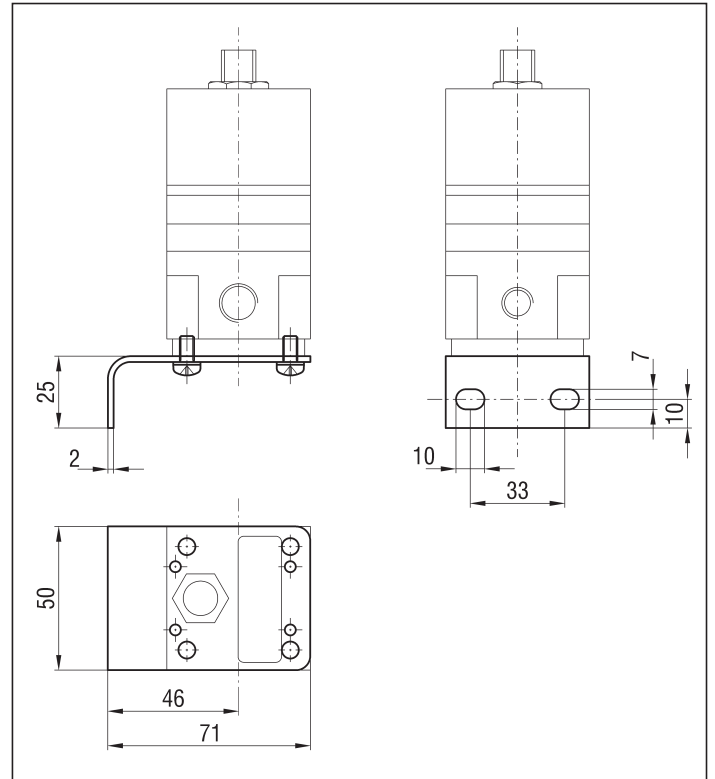
series **EPR**

HORIZONTAL FLANGE - FO



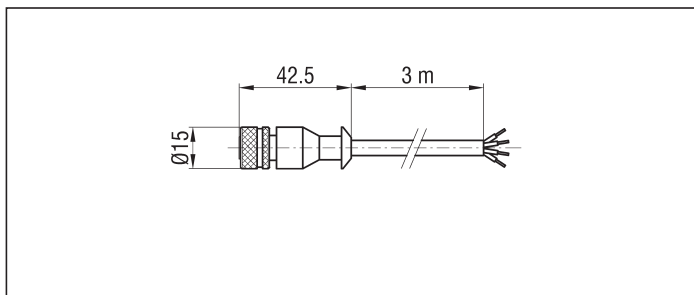
Supplied complete with screws

90° FLANGE - F90

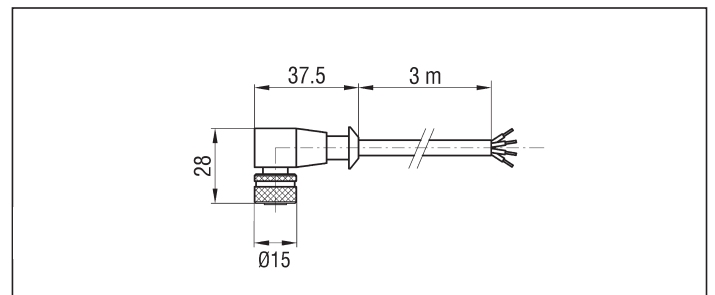


Supplied complete with screws

EXTENSION WITH M12 IN LINE CONNECTOR CABLE - M12L



EXTENSION WITH M12 90° CONNECTOR CABLE - M12G



4