

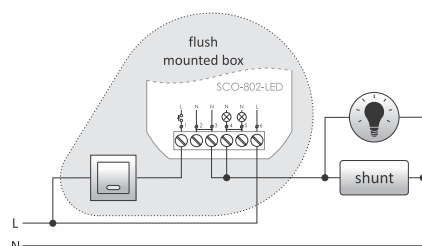
## With "memory" of light intensity settings

### Functioning

After switching on the lighting by pressing the button, the lighting returns to the previously set value.

! After a dimmer power failure, the first switching on sets the brightness to 100%. Does not apply to SCO-802-LED.

## SCO-802-LED 150 W, for LED lighting

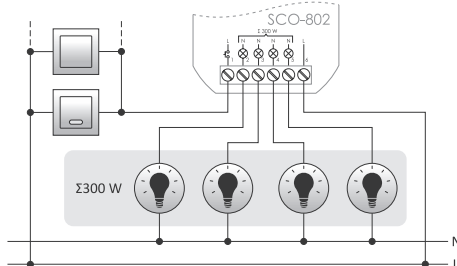


power supply	195÷265 V AC
power tolerance	-20/+10%
maximum load current (AC-1)	1.3 A
maximum power connected lamps	150 W
power consumption	<0.25 W
terminal	1.5 mm <sup>2</sup> screw terminals
tightening torque	0.3 Nm
working temperature	-25÷50°C
dimensions	ø54 (size 48×43 mm), h=20 mm
mounting	in flush mounted box ø60
ingress protection	IP20

### Functions

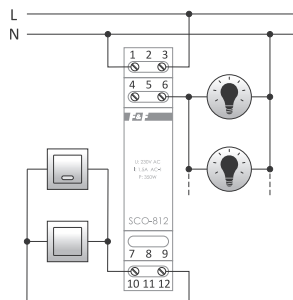
- Can be connected to both 3-wire and 2-wire installation, without available neutral wire, in the installation box;
- Memory of set brightness level (also after power failure and its return);
- Programmable minimum brightness level (elimination of LED lamps flashing at low brightness levels).

## SCO-802 300 W, for incandescent lighting



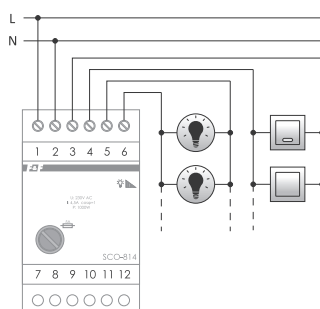
power supply	195÷265 V AC
maximum load current	1.3 A
maximum power connected lamps	300 W
power consumption	0.1 W
terminal	2.5 mm <sup>2</sup> screw terminals
tightening torque	0.4 Nm
working temperature	-25÷50°C
dimensions	ø54 (size 48×43 mm), h=20 mm
mounting	in flush mounted box ø60
ingress protection	IP20

## SCO-812 350 W



power supply	195÷265 V AC
maximum load current	1.5 A
maximum power connected lamps	350 W
power consumption	0.1 W
terminal	2.5 mm <sup>2</sup> screw terminals
tightening torque	0.4 Nm
working temperature	-25÷50°C
dimensions	1 module (18 mm)
mounting	for TH-35 rail
ingress protection	IP20

## SCO-814 1000 W



power supply	195÷265 V AC
maximum load current	4.5 A
maximum power connected light bulbs	1000 W
overload protection	fuse
	electronic and safety 6.3 A
power consumption	0.3 W
terminal	2.5 mm <sup>2</sup> screw terminals (cord) 4.0 mm <sup>2</sup> screw terminals (wire)
tightening torque	0.5 Nm
working temperature	-25÷50°C
dimensions	3 modules (52.5 mm)
mounting	for TH-35 rail
ingress protection	IP20