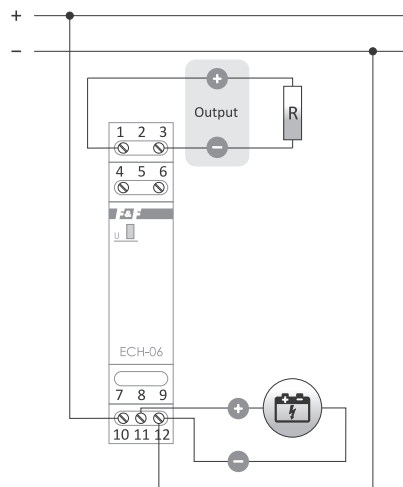


## ECH-06 DC power reserve module, with battery charging function (1.3÷7.2 Ah)

### Purpose

The ECH-06 module along with an external gel battery with a nominal voltage of 12 V constitutes a backup power supply system for receivers with a supply voltage of 9÷30 V DC.



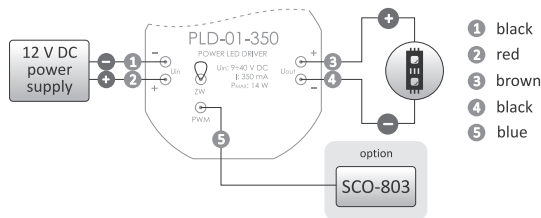
power supply/charging voltage	18 ÷ 30 V DC
output voltage $U_{out}$	$U_{in} - 0.5$ V DC
	$U_{acu} - 0.5$ V DC
current of the output load $U_{out}$	< 3 A
supported battery capacity	1.3 ÷ 7.2 Ah
maximum battery voltage	13.8 V DC
charging current	< 0.35 A
power supply cut-off threshold	< 10.5 V DC
own power consumption	< 1 W
working temperature	-10 ÷ 40 °C
terminal	2.5 mm <sup>2</sup> screw terminals
tightening torque	0.4 Nm
dimensions	1 module (18 mm)
mounting	for TH-35 rail
ingress protection	IP20

## PLD-01 350 / PLD-01 750 DC power supply (Power LED Driver)

### Purpose

The DC power supply is designed to supply LEDs with a forward current of 350 mA (PLD-01 350) or 750 mA (PLD-01 750).

The output voltage in this power supply is changed in such a way as to force the rated forward current of the LEDs and thus ensure their most efficient operation. The maximum power of the connected receivers depends on the value of the supply voltage and at  $U_{in}=40$  V is 14 W (PLD-01 350) or 30 W (PLD-01 750). The power supply can operate autonomously in the ON/OFF mode or in combination with the SCO-803 dimmer (p. 35) as a brightness controller.



input voltage $I_N$	5 ÷ 40 V DC
maximum current output stabilized	
PLD-01 350 for LED 1 W	350 mA
PLD-01 750 for LED 3 W	750 mA
LED power connected ( $U_{in}=40$ V)	
PLD-01 350 for LED 1 W	14 W
PLD-01 750 for LED 3 W	30 W
power consumption	0.1 W
terminal	5xLY 0.75 mm <sup>2</sup> , l=10 cm
working temperature	-20 ÷ 50 °C
dimensions	Ø55, h=16 mm
mounting	in flush mounted box Ø60
ingress protection	IP20

## TR-08 / TR-12 / TR-24 mains transformers

### Purpose

Mains transformers are used to power electrical and electronic devices that require low, alternating voltage power supply.



Type	Output voltage [V AC]	Current [A]	Power [VA]
TR-08	8	1	8
TR-12	12	0.66	8
TR-24	24	0.5	12

input voltage	230 V AC
working temperature	-10 ÷ 40 °C
terminal	2.5 mm <sup>2</sup> screw terminals (cord) 4.0 mm <sup>2</sup> screw terminals (wire)
tightening torque	0.5 Nm
dimensions	
TR-08	2 modules (35 mm)
TR-12/TR-24	3 modules (52.5 mm)
weight	
TR-08	271 g
TR-12	325 g
TR-24	433 g
mounting	for TH-35 rail
ingress protection	IP20

! The PTC (positive-temperature-coefficient) thermistor is included in the transformer circuit as an overcurrent protection.