

Pulse meters

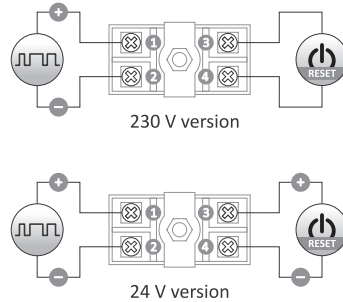
Purpose

Pulse meters are used to count AC/DC voltage signals generated by additional external devices in order to determine the number of work cycles performed in automation systems, for example, to control the number of press strokes, the number of rotations of the rotational device, the number of elements coming off the production line, etc.

CLI-11T panel-mounted

Functioning

The CLI-11T meter is a one-way meter for counting pulses in the range from 0 to 99999999 (8 digits). It has a RESET resetting input to connect an external push-button for resetting the meter status.



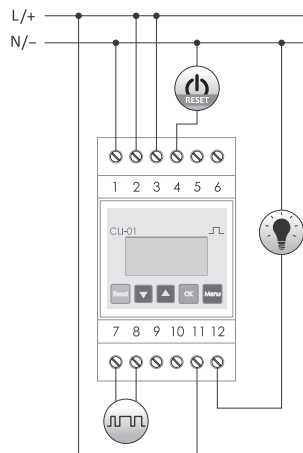
power supply	internal battery
battery life	10 years*
counting input voltage	
CLI-11T 230 V	110÷240 V AC/DC
CLI-11T 24 V	4÷30 V DC
maximum counting frequency	200 Hz
display	8 characters/h= 6.7 mm
indication accuracy	1%±1 digit
working temperature	-10÷40°C
terminal	1.5 mm ² screw terminals
tightening torque	0.2 Nm
dimensions	48×24×52 mm
mounting hole	45×23 mm
ingress protection	IP20

* battery life depends on weather conditions

CLI-01 programmable

Functioning

The CLI-01 meter is a programmable, multifunctional electronic meter for counting external pulses in the range from 0 to 99 999 999 999. The pulses are counted according to an individual program set by the user. When the threshold value is reached, the meter will perform an action configured according to the individual needs of the user.



supply voltage	24÷264 V AC/DC
counting input	
voltage: low state	0÷5 V AC/DC
voltage: high state	10÷264 V AC/DC
frequency for DC signal	<5 kHz
frequency for AC signal	<50 Hz
resetting input	
voltage	24÷264 V AC/DC
contact	separated 1×NO/NC
maximum load current (AC-1)	8 A
power consumption	1.5 W
working temperature	-20÷50°C
terminal	2.5 mm ² screw terminals (cord) 4.0 mm ² screw terminals (wire)
tightening torque	0.5 Nm
dimensions	3 modules (52.5 mm)
mounting	for TH-35 rail
ingress protection	IP20

Functions

- A control panel that allows you to program and monitor the operation of the device;
- The input of the meter is designed to work with AC/DC signals with amplitude from 10 V to 264 V, the frequency up to 50 Hz for AC signals and 5 kHz for DC signals;
- The THRH parameter, adjustable from 1 to 99 999 999 999, which determines the limit number of pulses to be counted in each cycle of operation;
- External RESET resetting input;
- Relay output, which signals that the preset state of the meter has been reached (contact 1×NO/NC 8 A);
- Local meter, reset by external reset input or by the RESET button;
- Global meter (TOTAL), counting all pulses (loop operation 0→99 999 999→0→... or reset from the configuration menu of the meter);
- Digital filter, which allows limiting the maximum frequency of the counted pulses (to eliminate interference at the input of the meter);
- The memory of local and global status of the meter after a power outage;
- Program menu in one of 3 languages: Polish, English or Russian.